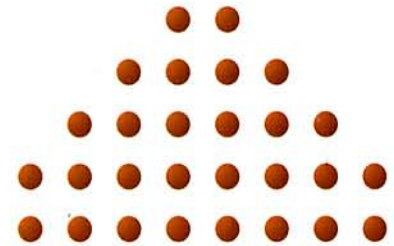


OJ Microline®

## MCC2/MCD2



THERMOSTATS FOR COMFORT HEATING

## 4-event Clock Thermostat

Recommended for control of heating systems for heating comfort with minimum power consumption.

- On/off control up to 3,600W, 16A.
- Built-in clock function for automatic comfort and setback temperature.
- Set only time and day at installation. Delivered with factory-set program.
- With built-in 2-pole interrupter for convenient switching off at airing the room and at summer times.
- Adaptive control ensuring comfort temperature at the required time.
- Inclined backlit display for better read-out.
- Flush mounting in a standard wall socket.
- Snap mounting of front cover for easy installation.
- MCD2 - with limitation sensor. For optimal comfort avoiding cold tiles during spring and autumn, or as protection against damaging wooden floors.

### PRODUCT PROGRAM

TYPE	PRODUCT
MCC2-1991-UA	Clock thermostat incl. floor sensor 3m
MCC2-1999-UA	Clock thermostat with built-in room sensor
MCD2-1999-UA	Clock thermostat with built-in room sensor and incl. limitation sensor 3m
ACCESSORIES	
ETF-144/99-A	Floor sensor, 3m
ETF-944/99-H	Remote room sensor for surface wall mounting Used together with MCC2-1991-UA

### Thermostat Control

Electronic on/off thermostat for control of temperature. The heating output is switched on and off with a differential of only 0.4°C.

### Housing IP21

Can be mounted in bathrooms and other humid rooms, taking local regulations into consideration.

### Built-in Clock Function

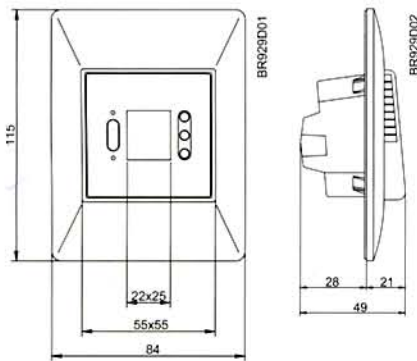
MCC2/MCD2 is with built-in 4-event program for automatic comfort and setback temperature.

### Temperature Limitation

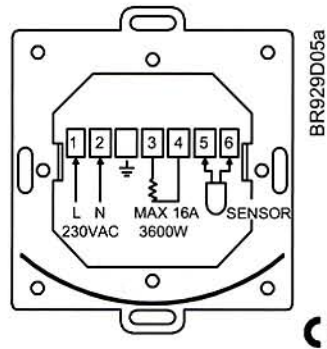
The MCD2 is delivered with a floor sensor which can be used for:

**Max. temperature limitation:** Protection of i.e. wooden floors.

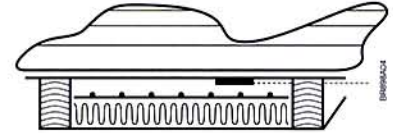
**Min. temperature limitation:** For better heating comfort.



Dimensions (mm)



Connections



Mounting of limitation sensor

### Monitoring of Energy Consumption

Total switch-on time in percentage can be read out within the latest 2 days, 30 days or 365 days. In this way the heating consumption can be controlled.

### Factory-set of Events

The thermostat is delivered with factory-set programs as follows:

DAY 1-5				
EVENT	TIME	TEMPERATURE	W/FLOOR SENSOR	W/ROOM SENSOR
1	06:00-08:00	Comfort	25°C	20°C
2	08:00-16:00	Setback	20°C	15°C
3	16:00-22:30	Comfort	27°C	22°C
4	22:30-06:00	Setback	20°C	15°C
DAY 6-7				
EVENT	TIME	TEMPERATURE	W/FLOOR SENSOR	W/ROOM SENSOR
1	08:00-23:00	Comfort	27°C	22°C
4	23:00-08:00	Setback	20°C	15°C

### Individual Programming of Events:

The factory-set periods and/or temperatures can be changed according to requirement. Furthermore, the following programs can be selected:

- 4 events 6 days and 2 events day 7
- 4 events per day

The thermostat is with adaptive function meaning it calculates, when the heating has to be switched on to make sure that the comfort temperature is obtained at the required time.

### Comfort Mode

The temperature can be temporarily changed for a single event. The comfort mode temperature is reset at the next event, and the thermostat will return to the scheduled event program.

### Manual Mode

The scheduled event program can be cancelled e.g. during holidays, instead the temperature can be adjusted to e.g. 5°C for frost protection. The new setpoint is valid until the manual mode is cancelled.

### Backup Function

All settings and the clock are maintained in case the thermostat is switched off on the built-in interrupter. In case the main power supply is interrupted for more than 50 hours the current time and date must be adjusted. In power term installations with daily disconnection of the main power to the heating installation, it is recommended to connect the thermostat to the primary line that is not disconnected, and connect the heating installation over an external relay.

### Read-out of Sensor Temperature

The actual temperature of the floor sensor can be read out.

### Changing of Type

Via the software menu type MCD2 can be modified to one of the following thermostats:

TYPE	PRODUCT
MCC2-1991-UA	Clock thermostat incl. floor sensor 3m
MCC2-1999-UA	Clock thermostat with built-in room sensor

At factory reset the thermostat will return to an MCD2 type for security reasons. In case the limitation sensor has been removed it will generate a failure code "E2".

### TECHNICAL DATA

Supply voltage	230V AC ±15%, 50/60 Hz
Output relay SPST	16A, 3,600W resistive load or 1A inductive load
Built-in interrupter	2-pole, 16A
Temperature range	+5/+40°C
Limit sensor MCD2	5/55°C Factory setting min. 15°C/max. 28°C
Clock function	4-event program
Ambient temperature	0/+40°C during operation
On/off differential	0.4°C
Housing	IP21
Sensor type	NTC
Dimensions (H/W/D)	80/80/48 mm
Size of display (H/W)	25/22 mm