

DESCRIPTION

The Enersave Slim-Line 'E' is an unobtrusive and robust panel heater for both domestic and commercial use. Slim-Line are compact, only 55mm deep, and provide rapid heat and accurate temperature control. With an ON/OFF switch and an electronic thermostat, they can maintain a very stable room temperature ensuring cost effective operation. A built in sensor safeguards against overheating. They are easy to install with a detachable wall bracket or optional feet for free standing. They are connected by plug and lead and are available with 500W to 2500W outputs. The 2500W model includes lead only as it needs to be hardwired. 2 year manufacturers warranty.

APPLICATION

Wall mounted panel heater suitable for both domestic and commercial use. Also suitable for use in bathrooms.

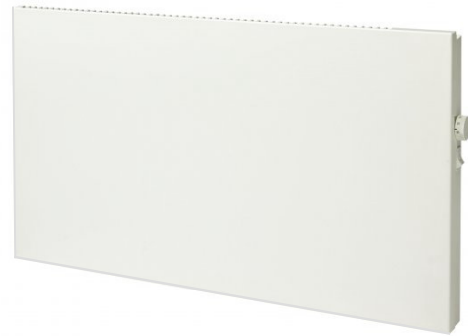
COMPLIANCES

- EN 60335 –2-30:2003; A1
- EN 60335 –1-2002; A11, A12, A2



CONSTRUCTION

- Powder coated steel housing
- Supplied with lead and plug (except E1125)
- Double insulated (Class II)
- IP24C drip proof
- Electronic thermostat and ON/OFF switch
- Built in over temperature cut out



Model	Power (W)	Width (mm)	Height (mm)	Mounted Depth (mm)	Bracket Centres A (mm)	Minimum Height from Floor (mm)	Mass (kg)
E1105	500	370	420	85	200	50	3.6
E1110	1000	540	420	85	300	50	4.6
E1115	1500	730	420	85	300	50	5.7
E1120	2000	950	420	85	600	50	7.4
E1125	2500	1175	420	85	600	50	8.9

Fig 1

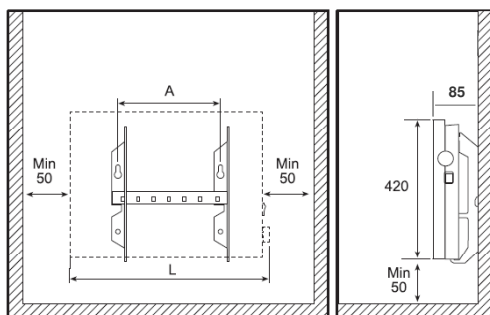
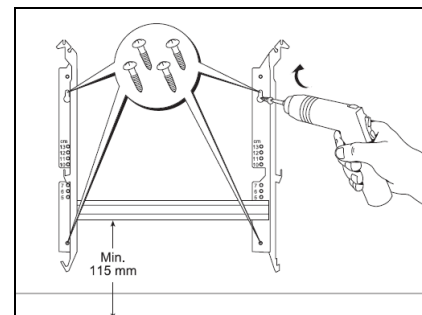


Fig 2



INSTALLATION

- The heater is fixed to the wall using the supplied mounting bracket (Fig 2).
- Heaters are supplied with flex and fitted with a standard plug fitting. The 2500W E1125 will need to be hard wired by a qualified electrician.
- Ensure the minimum clearances are observed as detail in Fig 1 above and it is kept away from any flammable objects such as curtains and upholstered furniture.
- Ensure there is a minimum clearance of 250mm above the heater at all times.

ENERSAVE Products Limited

NEW ZEALAND ◊ PO Box 8867, CHRISTCHURCH ◊ Free Phone/Fax : 0800 508 509 ◊ Email : info@enersave.co.nz ◊ www.enersave.co.nz